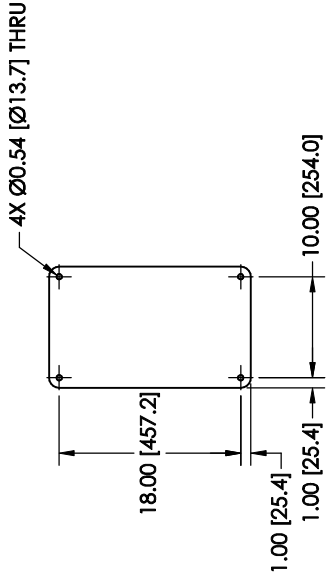
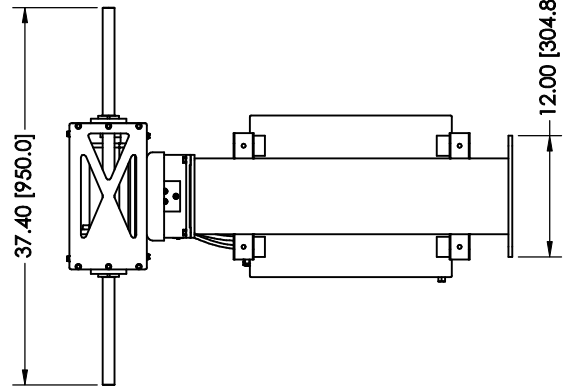
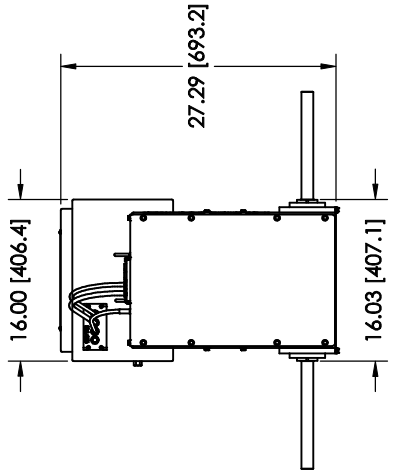
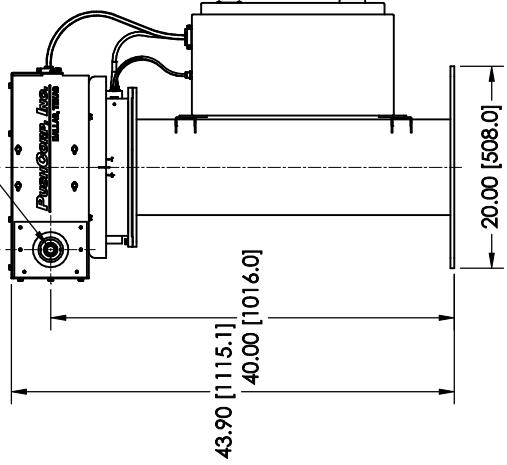


MOUNTING PLATE DETAIL



SHAFT Ø: 1.1811 [Ø30.00]
Ø: 29.97



All Dimensions are Before
Plating Unless Specified.
No Forming Helical Taps
Surface Finish on Unspecified
Surfaces to be S1 Micro Inches

Rev	Date	Description
1	8-12-05	INITIAL RELEASE
2		
3		
4		
5		
6		
7		

Drawing Per: ASME Y14.5M-1994	Down By: WFB8
Break: 0.015 Max	Base: Eng. VGRWIN
Part To Be Tapped: None	Reasoning: VGRWIN
Scale: 1:1 TO SCALE	Created: 01/10/05
Tolerances: ±1.0°	Checked: JTB
XXX: 0.003	Drawn: JTB
XXX: 0.01	Approved: JTB
XXX: 0.03	Released: JTB
XXX: 0.03	File Name: SFS81.dwg

PUSHCORP, INC.
P.O. Box 18191 S. Dallas, Texas
Phone: (972) 840-0208 FAX: (972) 840-1046

SFS81

Part/Arm Number: SFS81
Cage Number: 011C8

Page: 1 Of 1